

S 700
medical supply unit



S 700 a, surrounding thin edge with glass look décor

fine lines

As horizontal medical supply unit the Schyns S 700 can be harmonically integrated into each patient room design – into straight-lined new buildings as well as into stylish old buildings. The supply unit is available in two modern and one classic versions: the S 700 a appears especially fine due to the surrounding thin edge, the front of model S 700 b is horizontally stretched by a slim aluminium stripe and the S 700 classic fits into classic interiors by stylish decorative profiles.

The housing of the medical supply unit is made of extruded, naturally anodized aluminium. HPL-décors can be flush-fitted into the front, thus carrying on the design of the patient room – or setting accents deliberately. Furthermore, there is the possibility to have the front in glass look in several plain colours.

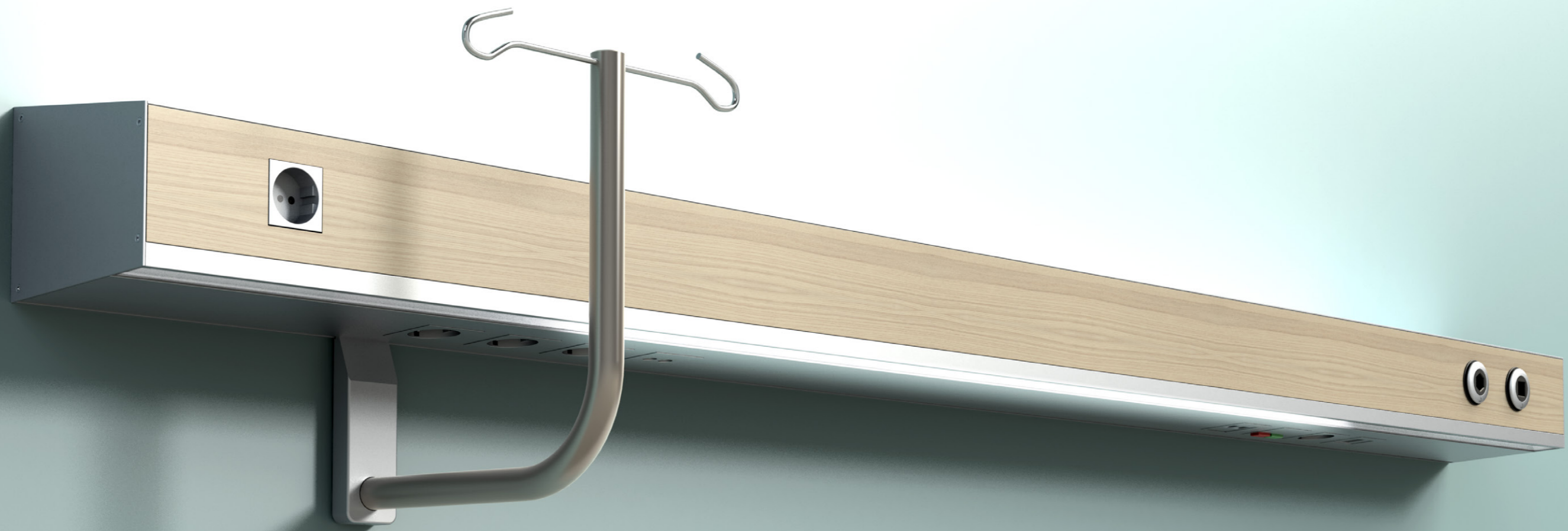
Fitted end covers made of anodized aluminium complete the high quality impression. The top and bottom sides are inclined by 6°. The upper side consists of highly translucent PMMA (acrylic) and is extremely resistant to common cleaning and disinfection solutions.



S 700 b, horizontally stretched with HPL-décor, oak



S 700 classic, stylish decorative profiles in white



S 700 b with HPL-décor, oak

balanced modernness

Sockets, switches and other connections such as nurse call and communications elements can be positioned at the bottom and the front of the Schyns S 700. The system-bound switch programme used is especially widely assorted and offers suitable equipment for almost all requirements. The medical gas outlets are well accessible at the front. All around there aren't any lugs impeding the use of required plugs, flowmeters etc. Inside, all gas pipes are separated from the electrical compartment but are well accessible for maintenance nevertheless. Easy cleaning and disinfection are secured due to the continuous flush-mount installation of all parts.

useful details

At the bottom of the Schyns S 700 the proven Schyns accessories-groove is integrated, where accessories such as infusion bottle holders and equipment rails can be inserted without using any tools and steplessly positioned over the whole length of the Schyns S 700. Learn more from our separate accessories catalogue.



S 700 b, natural aluminium



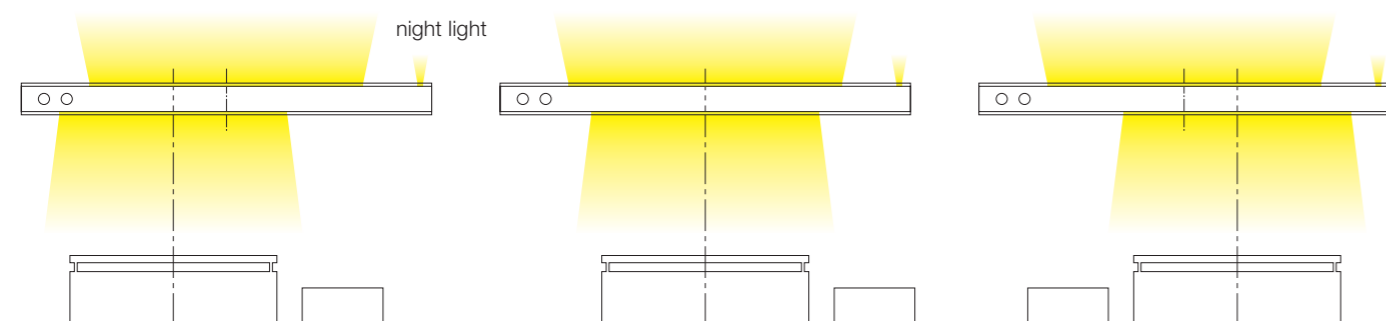
S 700 b, natural aluminium



light quality

At the top a general lighting inclined to the room lightens the patient area and the room by a pleasant, glare-free light. No matter whether classic T5-fluorescent tubes with efficient, electronic ballast or long-life LED-technology: by optimised lighting values and flexible control the Schyns S 700 is a reliable and flexible solution. The general lighting in LED-technology can run over the whole length. In the end-to-end acrylic at the bottom there is the reading light in LED-technology – optionally electronically movable, in order to respond to the room situation. In spite of its low energy consumption a norm-conforming lighting of the reading and examination level is guaranteed. All Schyns lighting systems are optionally steplessly dimmable and support latest lighting control via DALI / TouchDim and 0-10V interface.

LED service life 50,000h at 70%
dimming range 10-100%



dynamic lighting

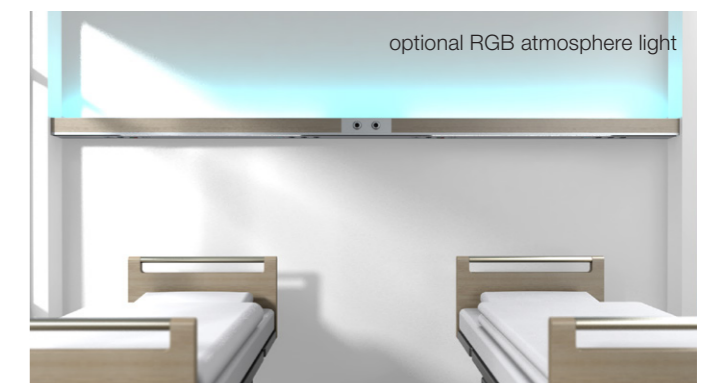
The positive effect of a dynamic lighting on the well-being of patients has been acknowledged in the meantime. With the lighting system Schyns “luxconsent” an infinitely variable adaptation of the light colour temperature between cosy warm and activating cool white is possible. Thus the natural colour gradient of daylight and its brightness fluctuations are simulated, basis of which are highly efficient LEDs, which always guarantee a premium illumination due to their high colour rendering index.

Even more scope for design development is offered by the RGB-atmosphere light that can be integrated: by means of coloured LEDs the room is bathed in different cue states. There are no limits to colour selection. Strong colours recognizable also during daytime emphasize deliberate accents while cosy white shades care for an atmospheric ambience in the evenings. Both systems are actuated by DALI-interface. Thus maximum flexibility and compatibility with the clinic control system is ensured.

LED-general lighting
possible from end-to-end



The electronically adjustable reading light contains a switch level for a consistent reading light.





S 700 classic

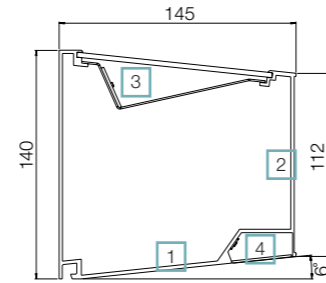
stylish classic

The sensible and style-supporting refurbishment of old buildings requires suitable products: the S 700 classic can be convincingly integrated into such interior decoration. Due to the fine decorative profiles and the possibility to adapt the colour of the medical supply unit it can be used as part of the architecture like stucco elements. If requested the profiles can also be colour accentuated. Of course, its functional and technical features, from light technology to Schyns accessories-groove, are identical with those of the other S 700 versions – and thus always up-to-date.

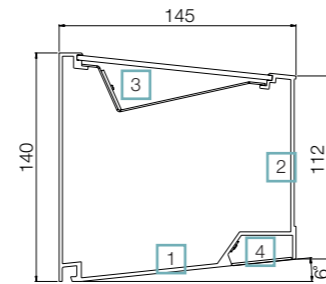




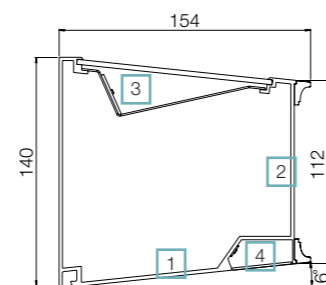
S 700 a, HPL-décor, oak



S 700 b, HPL-décor, green



S 700 classic, white with gold-coloured profile brackets



- 1 bottom section for sockets
- 2 front section for sockets / medical gas outlets
- 3 general lighting
- 4 reading light



multi-variant

Each project has its own requirements. The solutions are individual. Our planning and manufacturing competence as well as the systematic construction of our products enable us to answer your specific wishes. We develop the perfect solution together with you.

Basis for the development, production and testing of our medical supply units are all relevant norms (e.g. DIN EN 60601-1, DIN EN ISO 11197 etc.). Our quality management is certified according to DIN EN ISO 13485:2016 + AC:2009 Annex II of the Council Directive 93/42/EEC for medical products.

integrative or accentuated

The Schyns S 700 can be harmonically integrated into the interior design of each patient room, not least thanks to the considerable scope for design. The normally naturally anodized front profile can be powder coated in any desired colouring. HPL-décors can be flush-fitted into the front, thus carrying on the design of the patient room – or setting accents deliberately. Furthermore, there is the possibility to have the front in glass look in several plain colours.





competence and flexibility

Since 1984 we have been standing for innovative technology and long lasting design. Besides medical supply units for normal and intensive care – lighting units, central medical gas supply and secondary equipment round off our performance scope in the hospital sector.

